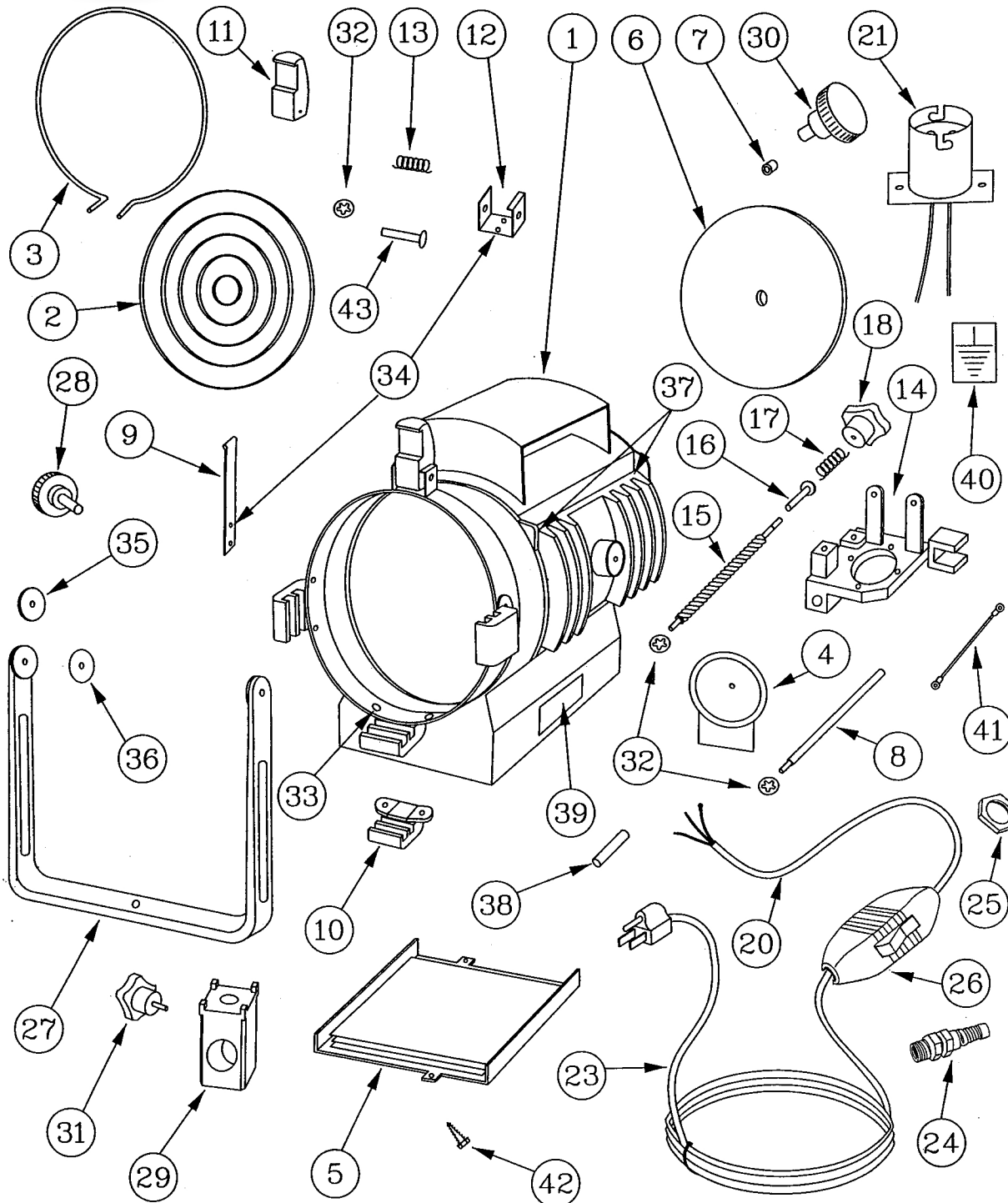


LTM CORPORATION OF AMERICA

PEPPER 200 REF. 154C



REP	REF. CODE	QTY	DESIGNATION
1	154C	1	HOUSING
2	602 313	1	FRESNEL LENS \varnothing 80
3	S1124 02	1	RETAINING RING
4	S940	1	REFLECTOR
5	S11 24 03	1	BOTTOM PLATE
6	S11 24 04	1	BACK PLATE
7	S 932	1	BLOCKING PIECE
8	S11 24 05	1	GUIDE ROD
9	S11 24 06	1	CLOSING SPRING, LID
10	S 1121-01	3	FILTER BRACKET, FIXED
11	S 1121-02	1	FILTER BRACKET, HINGED
12	S 1121-03	1	FILTER BRACKET SUPPORT, HINGED
13	S 226 03	1	SPRING, FILTER BRACKET, HINGED
14	S 11 24 08	1	CHARRIOT
15	S 11 24 09	1	ADJUSTING SCREW
16	S 981	1	BLOCKING PIECE, ADJUSTING SCREW
17	S 977	1	SPRING, ADJUSTING SCREW
18	602 276	1	FOCUS KNOB
20	605 280C	1	17" SILICON CABLE TO SWITCH
21	2225	1	SOCKET
23	606 629	1	CABLE WITH MOLDED PLUG
24	3237N	1	STRAIN RELIEF BUSHING
25	075963	1	STRAIN RELIEF NUT
26	5410	1	SWITCH LEVITON
27	S 11 24 10	1	YOKE
28	602 315	2	YOKE KNOB
29	S 393	1	YOKE FOOT
30	602 278	1	BACK KNOB
31	602 245	1	STAND YOKE FOOT KNOB
32	604475	3	STAR LOCK NUT \varnothing 3
33	MISC	6	POP RIVET GMAD34A 1mm x 10mm
34	MISC	4	POP RIVET GMAD32A 1mm x 5mm
35	580 4342	2	FRICTION SPRING WASHER
36	S11 24 13	2	FRICTION DISK
37	604 472	2	HINGE PIN, LID
38	900005	2	CRIMP SPLICE
39	154C101	2	PEPPER 200 LABEL
40	S338	1	GROUND LABEL
41	S1243	1	GROUND STRAP
42	MISC	2	#3 PHILLIPS HEAD SHEET METAL SCREW
43	918030	1	FILTER HOLDER AXEL